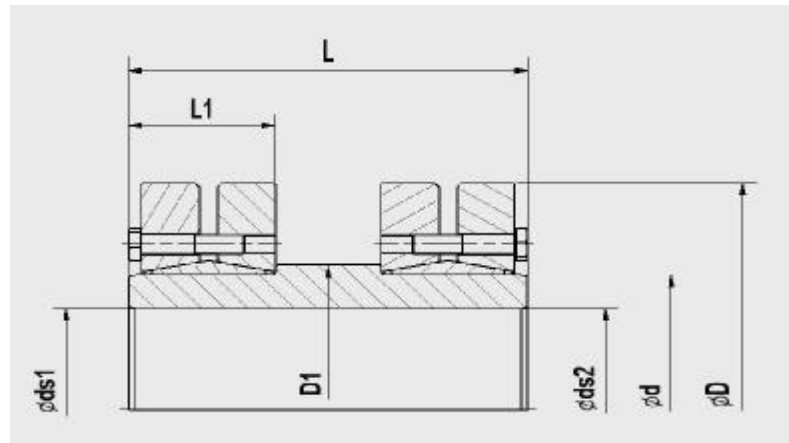


Sleeve coupling MAV SC2008

rev. 0

- Shaft-to-shaft rigid coupling with sleeve and shrink discs MAV 2008
- Medium capacity
- Possibility of connection of different shaft sizes
- Shaft tolerance: acc. to shrink disc data page
- Shaft surface finish: $Ra \leq 3.2 \mu m$

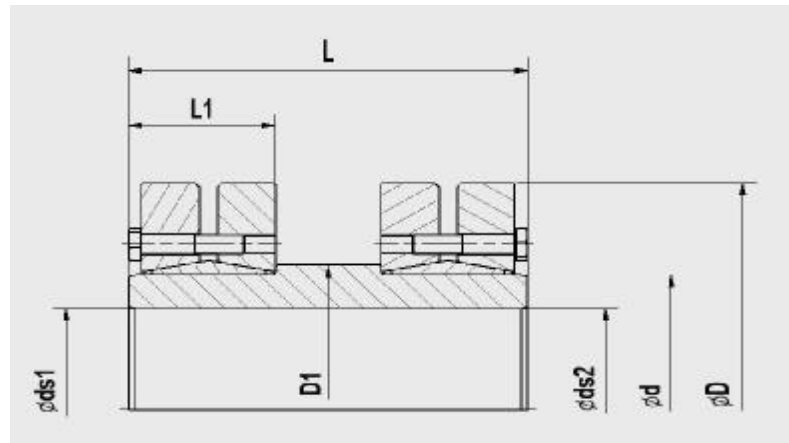

 Example of order: MAV SC2008-140 95 / 95 (size - ds_1 / ds_2)

DIMENSIONS						SD SCREWS UNI 5737/9 - 10.9		PERFORMANCES		WEIGHT
size	ds mm	shrink disc MAV 2008 d x D	L mm	D1 mm	L1 mm	size	Ma Nm	M _t Nm	F _{ax} kN	kg
24	19 20 21	24 x 50	50	28	22	M 5	4	220 280 330	24 28 32	0,44
30	24 25 26	30 x 60	55	34	24	M 5	4	350 400 470	29 32 36	0,68
36	28 30 31	36 x 72	65	40	26	M 6	12	770 960 980	55 64 63	1,1
44	34 35 36	44 x 80	70	49	28	M 6	12	1.200 1.400 1.500	72 77 83	1,5
50	38 40 42	50 x 90	80	55	31	M 6	12	1.500 1.800 2.100	80 91 101	2,1
55	42 45 48	55 x 100	85	60	33	M 6	12	1.700 2.100 2.600	80 94 110	2,8
62	48 50 52	62 x 110	90	68	33	M 6	12	2.700 3.000 3.200	110 120 120	3,4
68	50 55 60	68 x 115	100	74	33	M 6	12	2.500 3.100 4.100	100 110 140	3,8
75	55 60 65	75 x 138	120	81	37	M 8	30	3.500 4.700 6.000	130 160 180	6,1
80	60 65 70	80 x 145	130	86	37	M 8	30	4.100 5.200 6.600	140 160 190	6,8
85	60 65 70	85 x 155	140	96	44	M 8	30	5.400 6.900 8.600	180 210 250	10,0

Sleeve coupling MAV SC2008

rev. 0

- Shaft-to-shaft rigid coupling with sleeve and shrink discs MAV 2008
- Medium capacity
- Possibility of connection of different shaft sizes
- Shaft tolerance: acc. to shrink disc data page
- Shaft surface finish: $Ra \leq 3.2 \mu m$

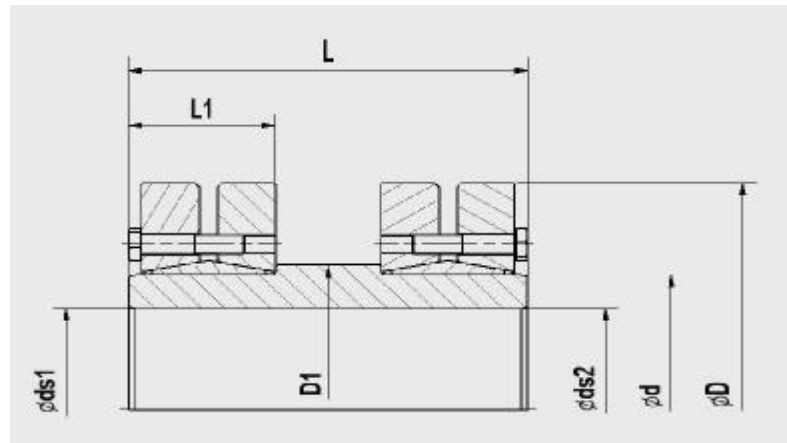

 Example of order: MAV SC2008-140 95 / 95 (size - ds_1 / ds_2)

DIMENSIONS						SD SCREWS UNI 5737/9 - 10.9		PERFORMANCES		WEIGHT
size	ds mm	shrink disc MAV 2008 d x D	L mm	D1 mm	L1 mm	size	Ma Nm	M _t Nm	F _{ax} kN	kg
90	65	90 x 155	140	96	44	M 8	30	6.200	190	9,7
	70							7.700	220	
	75							9.400	250	
95	65	95 x 170	160	106	49	M 8	30	6.800	210	14
	70							8.400	240	
	75							10.300	270	
100	70	100 x 170	160	106	49	M 8	30	7.600	220	14
	75							9.300	250	
	80							11.300	280	
105	70	105 x 185	180	116	56	M 10	59	8.100	230	19
	75							10.000	270	
	80							12.100	300	
110	75	110 x 185	180	116	56	M 10	59	9.100	240	19
	80							11.000	280	
	85							12.200	290	
115	80	115 x 200	185	131	57	M 10	59	11.500	290	23
	85							12.600	300	
	90							15.100	340	
120	85	120 x 200	185	131	57	M 10	59	11.400	270	22
	90							13.800	310	
	95							16.300	340	
125	85	125 x 215	200	136	60	M 10	59	13.300	310	28
	90							15.800	350	
	95							18.600	390	
130	90	130 x 215	200	136	60	M 10	59	14.600	320	27
	95							17.200	360	
	100							20.100	400	
140	95	140 x 230	210	148	66	M 12	100	18.600	390	33
	100							21.600	430	
	105							24.900	470	
155	105	155 x 263	230	167	70	M 12	100	25.400	480	49
	110							29.000	530	
	115							32.800	570	
165	115	165 x 290	240	177	78	M 16	250	38.900	680	63
	120							43.600	730	
	125							47.600	760	

Sleeve coupling MAV SC2008

rev. 0

- Shaft-to-shaft rigid coupling with sleeve and shrink discs MAV 2008
- Medium capacity
- Possibility of connection of different shaft sizes
- Shaft tolerance: acc. to shrink disc data page
- Shaft surface finish: $R_a \leq 3.2 \mu\text{m}$

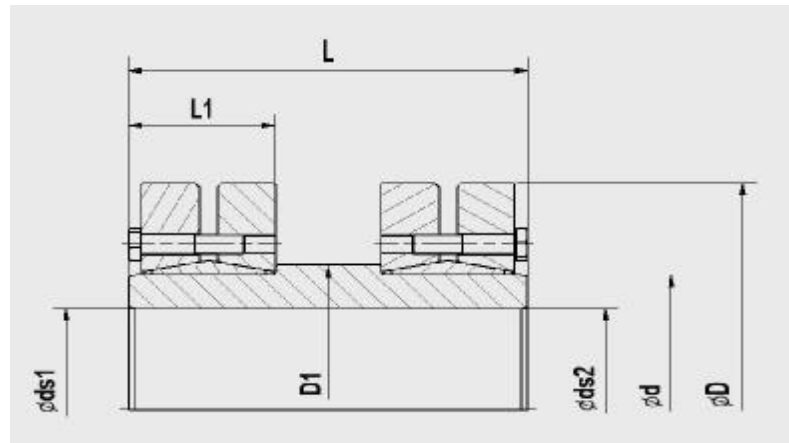

 Example of order: MAV SC2008-140 95 / 95 (size - ds_1 / ds_2)

DIMENSIONS						SD SCREWS UNI 5737/9 - 10.9		PERFORMANCES		WEIGHT
size	ds mm	shrink disc MAV 2008 d x D	L mm	D1 mm	L1 mm	size	Ma Nm	M _t Nm	F _{ax} kN	kg
185	135 140 145	185 x 330	265	201	95	M 16	250	60.000 66.400 73.100	890 950 1.000	95
195	140 150 155	195 x 350	280	216	95	M 16	250	75.600 90.600 98.700	1.100 1.200 1.300	107
200	150 155 160	200 x 350	290	216	95	M 16	250	87.000 94.800 103.000	1.200 1.200 1.300	106
220	160 165 170	220 x 370	310	236	114	M 16	250	110.000 120.000 129.000	1.400 1.500 1.500	144
240	170 180 190	240 x 405	350	254	121	M 20	490	146.000 168.000 190.000	1.700 1.900 2.000	185
250	180 190 200	250 x 430	390	274	132	M 20	490	186.000 209.000 238.000	2.100 2.200 2.400	237
260	190 200 210	260 x 430	390	274	132	M 20	490	197.000 224.000 254.000	2.100 2.200 2.400	228
280	210 220 230	280 x 460	430	296	145	M 20	490	260.000 292.000 327.000	2.500 2.700 2.800	281
300	230 240 250	300 x 485	445	316	153	M 20	490	334.000 371.000 410.000	2.900 3.100 3.300	323
320	240 250 260	320 x 520	460	336	153	M 20	490	380.000 419.000 457.000	3.200 3.400 3.500	384
340	250 260 270	340 x 570	480	356	169	M 20	490	465.000 506.000 555.000	3.700 3.900 4.100	523

Sleeve coupling MAV SC2008

rev. 0

- Shaft-to-shaft rigid coupling with sleeve and shrink discs MAV 2008
- Medium capacity
- Possibility of connection of different shaft sizes
- Shaft tolerance: acc. to shrink disc data page
- Shaft surface finish: $Ra \leq 3.2 \mu m$


 Example of order: MAV SC2008-140 95 / 95 (size - ds_1 / ds_2)

DIMENSIONS						SD SCREWS UNI 5737/9 - 10.9		PERFORMANCES		WEIGHT
size	ds mm	shrink disc MAV 2008 d x D	L mm	D1 mm	L1 mm	size	Ma Nm	M _t Nm	F _{ax} kN	kg
360	280 290 295	360 x 590	500	376	173	M 20	490	556.000 606.000 632.000	4.000 4.200 4.300	544
380	290 300 310	380 x 645	530	395	179	M 24	840	682.000 739.000 799.000	4.700 4.900 5.200	699
390	310 315 320	390 x 660	540	415	179	M 24	840	813.000 844.000 871.000	5.200 5.400 5.400	729
400	315 320 330	400 x 680	540	415	199	M 24	840	806.000 831.000 896.000	5.100 5.200 5.400	829
420	330 340 350	420 x 690	580	435	199	M 24	840	967.000 1.040.000 1.110.000	5.900 6.100 6.400	852
440	340 350 360	440 x 750	600	456	207	M 24	840	970.000 1.040.000 1.110.000	5.700 5.900 6.200	1062
460	360 370 380	460 x 770	620	476	207	M 24	840	1.040.000 1.120.000 1.190.000	5.800 6.000 6.300	1113
480	380 390 400	480 x 800	645	496	228	M 24	840	1.420.000 1.510.000 1.600.000	7.500 7.700 8.000	1297
500	400 410 420	500 x 850	670	516	230	M 27	1250	1.620.000 1.700.000 1.800.000	8.100 8.300 8.600	1477

Information subject to change without prior notification, © MAV S.p.A.